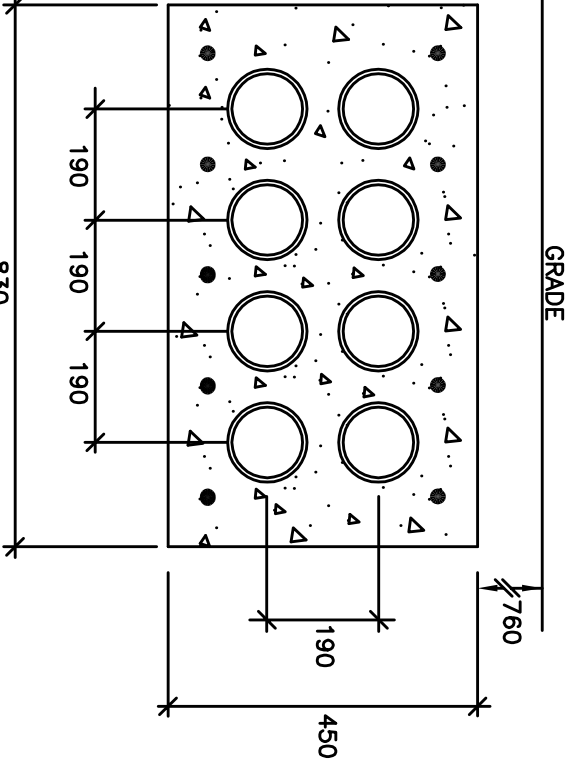


SERVICE NOTES

1. TRANSFORMER PAD SUPPLIED & INSTALLED BY ELECTRICAL CONTRACTOR TO SUPPLY TO ALL UTILITIES ETC. TRANSFORMER & FINAL CONNECTIONS BY LOCAL UTILITY
2. 8-103mm PVC TYPE II DUCTS IN 78mm RE-INFORCED CONCRETE ENCASED BARRIED MIN. 75mm BELOW GRADE. EXACT REINFORCING CONSTRUCTION SEE POWER STREAM 3 PHASE TRANSFORMER CONSTRUCTION DETAILS.
3. 8-129mm PVC TYPE II DUCTS IN 78mm RE-INFORCED CONCRETE AND TERMINATION TO SUIT COLLUS POWER STREAM
4. 4-103mm PVC TYPE II DUCTS IN 78mm RE-INFORCED CONCRETE AND TERMINATION TO SUIT COLLUS POWER STREAM
5. 2-103mm PVC TYPE II DUCTS BARRIED MIN. 610mm BELOW GRADE FOR TELEPHONE SERVICE. EXACT REINFORCING & TERMINATION TO SUIT COLLUS POWER SUPPLIER

DUCT BANK DETAIL
(8 DUCTS AS PER NOTE #2 &3)

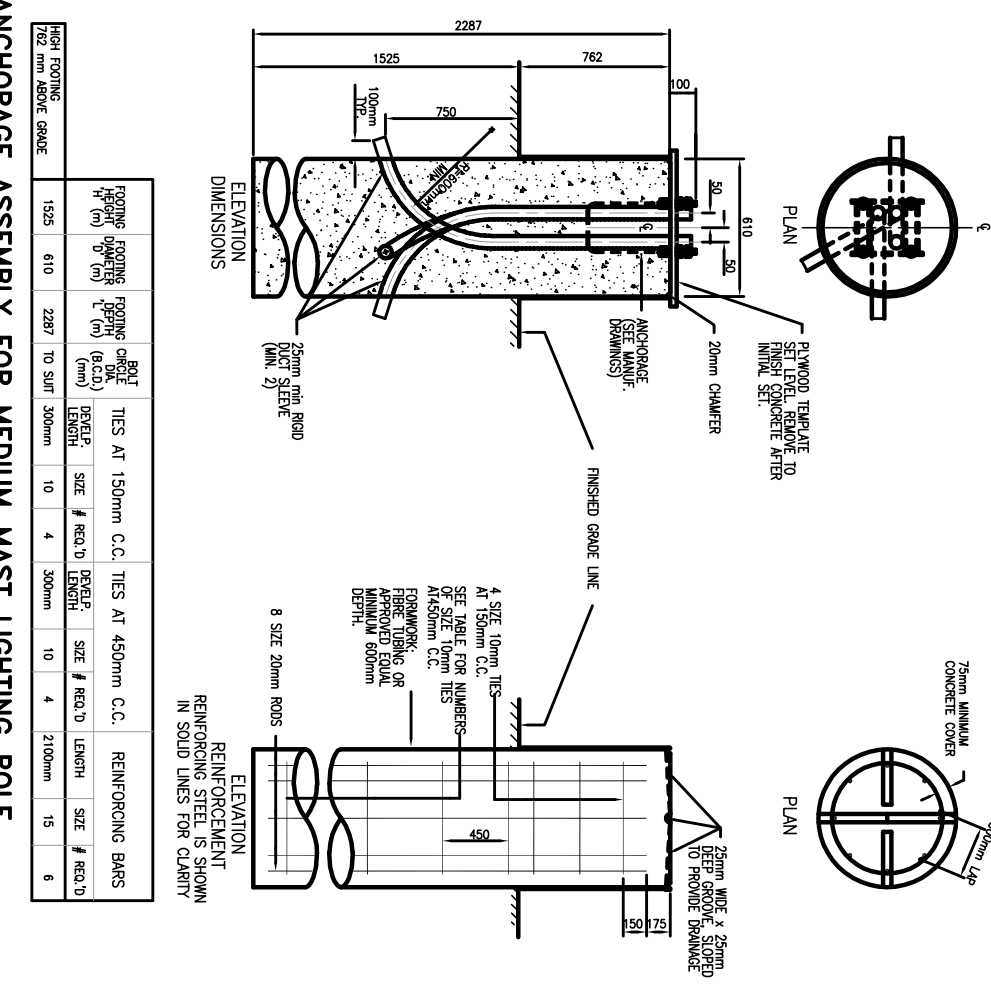


LIGHTING FIXTURE SCHEDULE

- Z1 GE LIGHTING CATALOG#ALS-02-120-H4AF-7-40-D-01-BLCK-J-R COVER-SURE GUARD POLECTOR-BLACK 1-800-756-3537
- Z1A GE LIGHTING CATALOG#ALS-02-120-H4AF-7-40-D-01-BLCK-J-R COVER-SURE GUARD POLECTOR-BLACK 1-800-756-3537
- Z2 GE LIGHTING CATALOG#ALS-02-120-SSSW-7-40-D-01-BL-I-R COVER-SURE GUARD POLECTOR-BLACK 1-800-756-3537
- Z3 GE LIGHTING CATALOG#MS3-120-B701-40-1-BLCK-J
- Z4 LIGHTING BOLLARD CYCLONE CAT#CBM12010C
- Z5 SIMILAR TO Z1 ON 10' POST
- Z6 STEP LIGHT

NOTES:

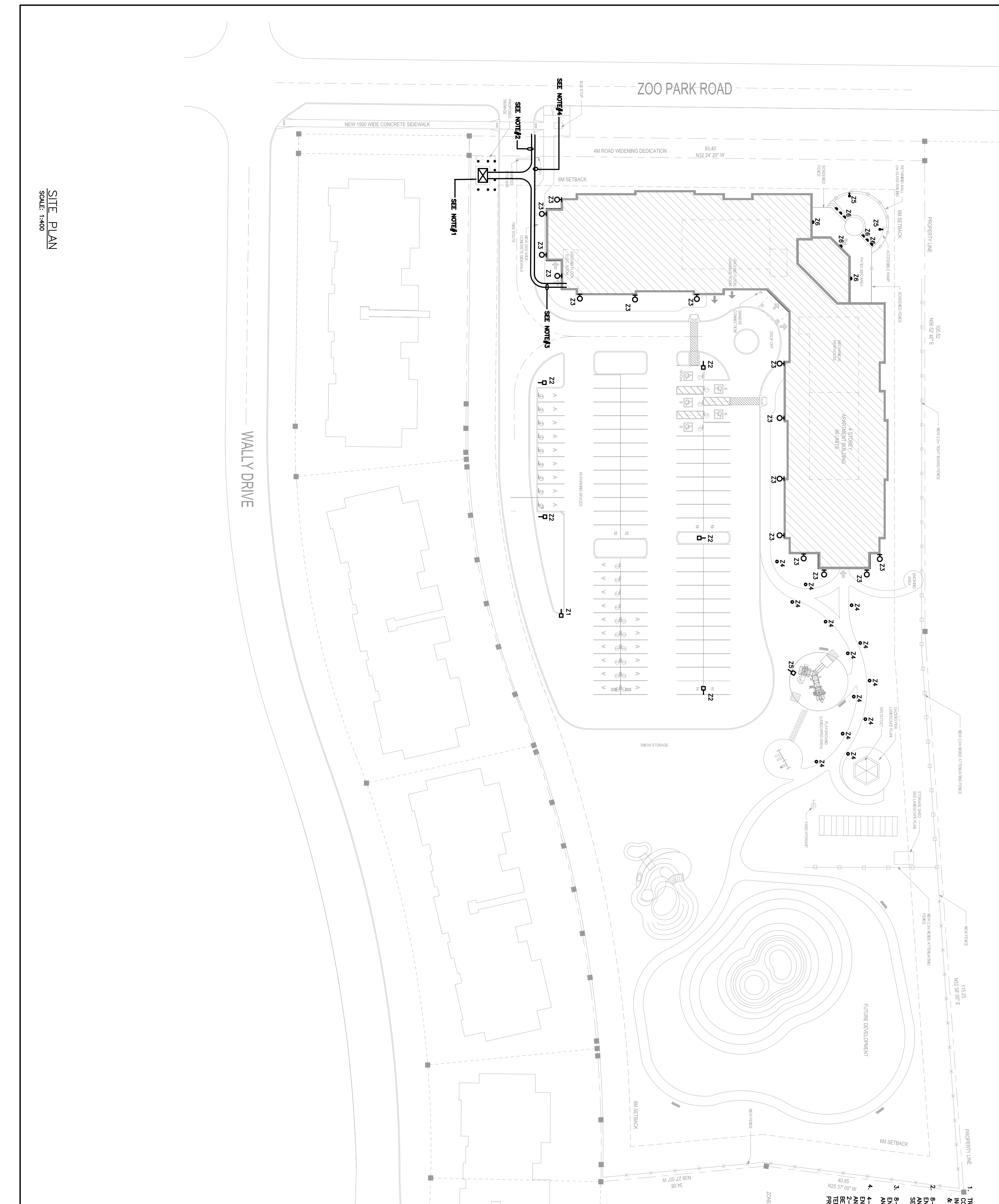
- CLAS OF CONCRETE
- REINFORCING STEEL SHALL BE GRADE 400.
- CLEAR COVER TO REINFORCING STEEL SHALL BE 80mm ± 20mm EXCEPT AS NOTED.
- EXPANSION JOINT PLACEMENT OF ELECTRICAL CONDUITS NOT TO EXCEED 1.2m BELOW THE FINISH FLOORING FINISH.
- POLE ANCHOR BOLTS SHALL BE VERTICALLY INSTALLED IN THE CONCRETE JOISTS AT MINUS 100mm FROM THE FINISH FLOORING FINISH.
- CONCRETE SHALL BE PLACED AGAINST ANY END STEEL LINER TO THE ELEVATION OF THE FINISH FLOORING FINISH OR OTHER SUITABLE METHOD. THE LINER SHALL BE WITHDRAWN AS THE CONCRETE IS PLACED.
- THE CONCRETE SHALL HAVE A MINIMUM STRENGTH OF 30 MPa AT THE TIME OF CASTING.
- ALL DIMENSIONS TO BE CHECKED & VERIFIED ON SITE. DISCREPANCIES TO BE REPORTED TO THE ARCHITECT LATEST APPROVED STAMPED DRAWINGS ONLY TO BE USED FOR CONSTRUCTION.



ANCHOR BOLT ASSEMBLY FOR MEDIUM MAST LIGHTING POLE (VERIFY WITH STRUCTURAL ENGINEER PRIOR TO INSTALLATION)

NOTE: CONCRETE BASE TO BE SUPPLIED WITH POLECTOR PROTECTIVE COVER-BLACK

1-800-756-3537



SITE PLAN
SCALE: 1:400

TRISTAR ENGINEERING
Professional Engineering Firm
A.A. OBERFELD
011118
PROF. ENGINEER
PRINCE OF GEORGES

DRAWING NAME:
ELECTRICAL SITE PLAN AND DETAILS

PROJECT NAME:
WASAGA BEACH AFFORDABLE HOUSING
174 ZOO PARK ROAD
WASAGA BEACH, ONTARIO
COUNTY OF SIMCOE

DATE: SEP. 2017
DRAWN BY: DP/JP
SCALE: 1:400

JOB NO.: 2017-135
SHEET NO.: E1

